

Customizable

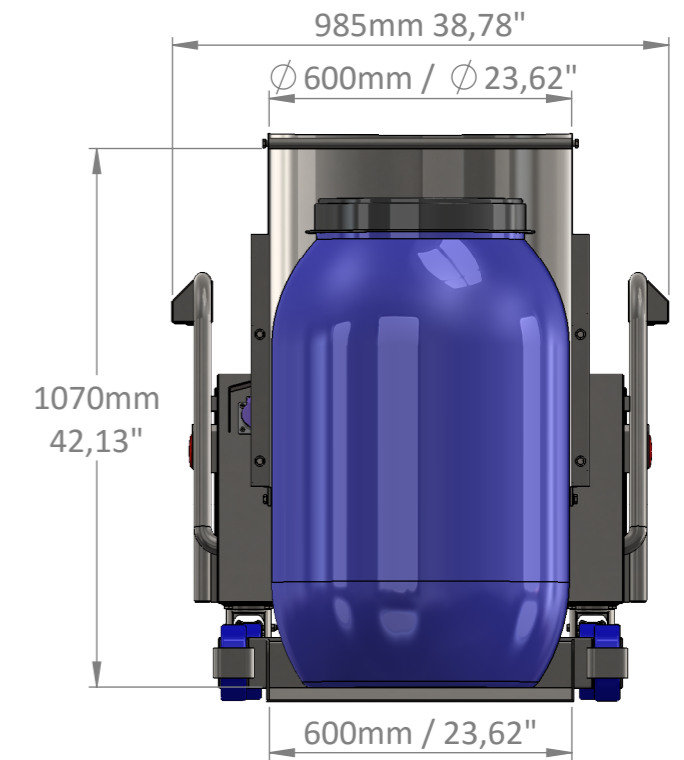
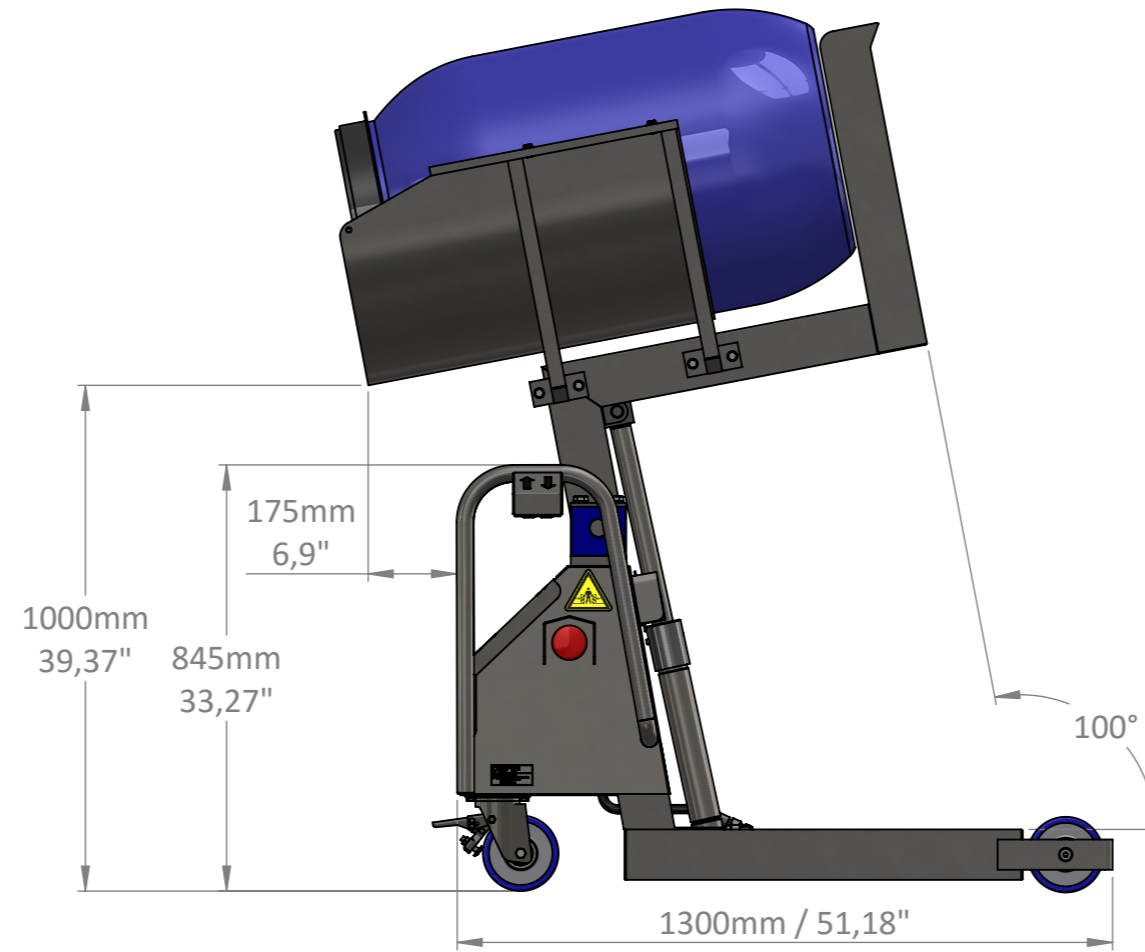
Demands:

Barrel Measures ($\phi \times H$): _____ x _____

Barrel Weight: _____

Max. 400 kg. / 880 lb.

Type: BRL



IP56 CE FC

DIMENSIONS TOLERANCES: LINEAR: $\pm 5\text{mm}$ / $\pm 0,2"$ ANGULAR: $\pm 1^\circ$		PROJECTION METHOD 	BACKsaver <i>work hard lift smart</i>	DO NOT SCALE DRAWING
DRAWN RL CHK'D BvO		NAME DATE	Kruisbroeksestraat 17 5281 RV Boxtel the Netherlands info@backsaver.nl www.backsaver.nl Tel. +31(0)411 672652	CLIENT: Van Oirschot Roestvrijstaal B.V.
PROPRIETARY AND CONFIDENTIAL THE INFORMATION CONTAINED IN THIS DRAWING IS THE SOLE PROPERTY OF VAN OIRSCHOT ROESTVRIJSTAAL BV - BOXTEL, THE NETHERLANDS. ANY REPRODUCTION IN PART OR AS A WHOLE WITHOUT THE WRITTEN PERMISSION OF VAN OIRSCHOT ROESTVRIJSTAAL BV - BOXTEL, THE NETHERLANDS IS PROHIBITED.		MATERIAL: AISI304 (1.4301) / AISI316 (1.4404)	FINISH: Glass bead blasting	TITLE: BSMBRL
		DWG NO. 15112	SCALE:1:15	SHEET 1 OF 1

A3